

M - Series Modules

M2AXN1

Features

Design

- Multiport configurations, offering wide range of use.
- A VCR 1/4" FFMM fitting with standard dimensions.
- Operator 1/4" bellows.
- Rigid mechanical connection between stem tip and actuator.
- All tube connections are TIG orbital welded.
- Integrated module plate.

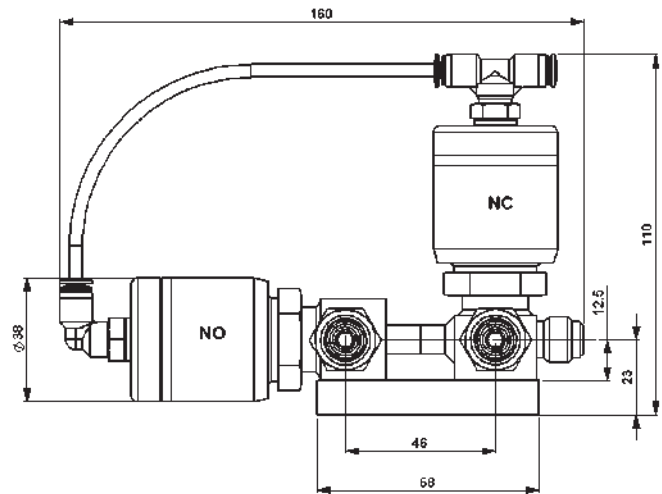


Materials

- Wetted area 316L Stainless Steel
- Surface finish Ra ≤ 0.4µm
- Body and bellows 316L Stainless Steel
- Non rotating stem tip Kel-F
- O-ring (body / actuator) Silvered 316L Stainless Steel

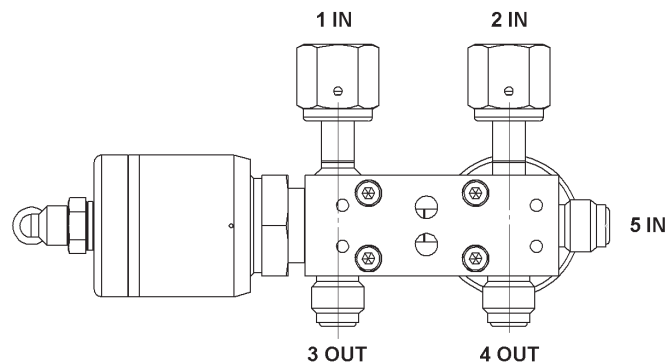
Actuator Design

- Pneumatic NO (1) & NC (1)
- Permanent color identification for NO or NC.
- Blue anodized actuator in aluminum.



Accessories

- Elbow pneumatic fitting
- Tee pneumatic fitting
- Polyurethane tube Ø4-Ø2.5



M – Series Modules

M2AXN1

Ratings

Specifications

Flow coefficient Cv=0.28
 Orifice size 3.5 mm

Temperature

Operating 0 °C to 70 °C

Pressure Ratings

Operating Vacuum to 15 bar

Valve Life Expectancy

> 1,000,000 cycles

Helium Leak Rate

External sealing <2.10⁻¹⁰ atm cm³/s
 Internal sealing <1.10⁻⁹ atm cm³/s

