

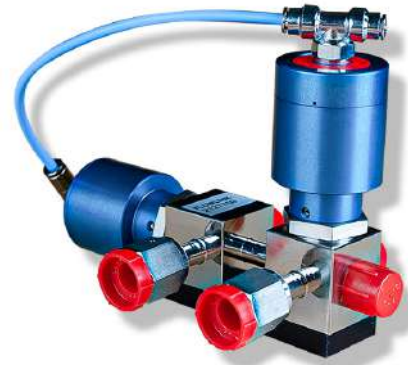
# M - Series Modules

## M2AXN7

### Features

#### Design

- Multiport configurations, offering wide range of use.
- A VCR 1/4" FFMM fitting with standard dimensions.
- Operator 1/4" diaphragm.
- Rigid mechanical connection between stem tip and actuator.
- All tube connections are TIG orbital welded.
- Integrated module plate.



#### Materials

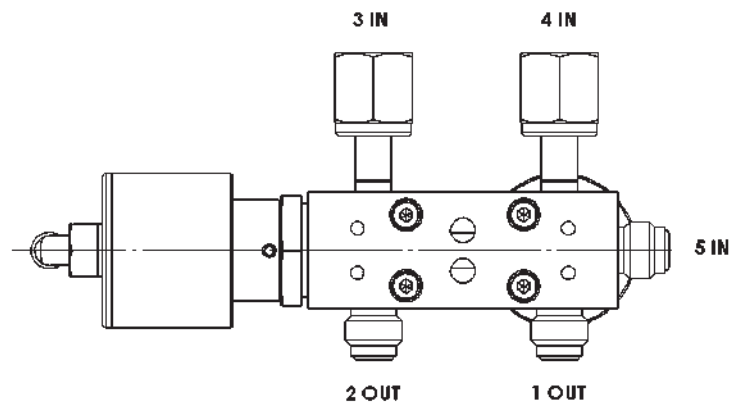
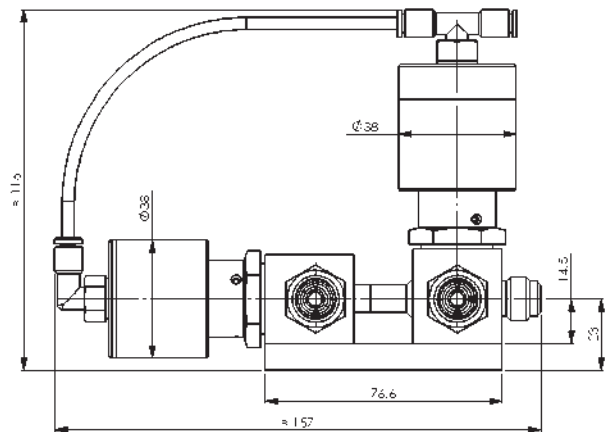
- Wetted area ..... 316L Stainless Steel
- Surface finish ..... Ra ≤ 0.4µm
- Body ..... 316L Stainless Steel
- Non rotating stem tip ..... Kel-F
- O-ring (body / actuator) ..... Silvered 316L Stainless Steel

#### Actuator Design

- Pneumatic NO (1) & NC (1)
- Blue anodized actuator in aluminum.

#### Accessories

- Elbow pneumatic fitting
- Tee pneumatic fitting
- Polyurethane tube Ø4-Ø2.5



# M - Series Modules

## M2AXN7

### Ratings

#### Specifications

---

Flow coefficient ..... Cv=0.14  
 Orifice size ..... 3.5 mm

#### Temperature

---

Operating ..... 0 °C to 70 °C

#### Pressure Ratings

---

Operating ..... Vacuum to 15 bar

#### Valve Life Expectancy

---

> 1,000,000 cycles

#### Helium Leak Rate

---

External sealing ..... <2.10<sup>-10</sup> atm cm<sup>3</sup>/s  
 Internal sealing ..... <1.10<sup>-9</sup> atm cm<sup>3</sup>/s

