

M - Series Modules

M2AXN5

Features

Design

- Multiport configurations, offering wide range of use.
- A VCR 1/4" FFFF fitting with standard dimensions.
- Operator 1/4" bellows.
- Rigid mechanical connection between stem tip and actuator.
- All tube connections are TIG orbital welded.



Materials

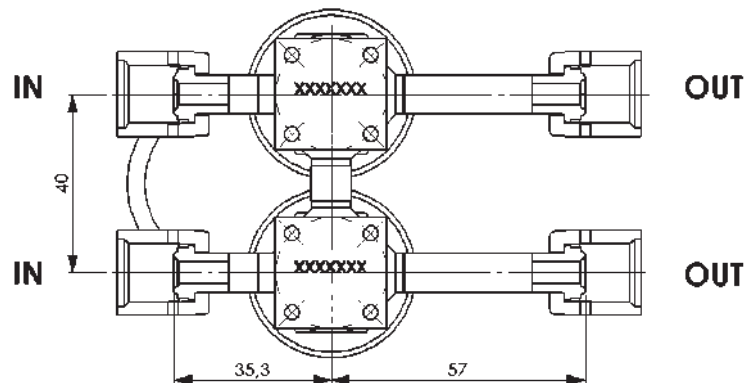
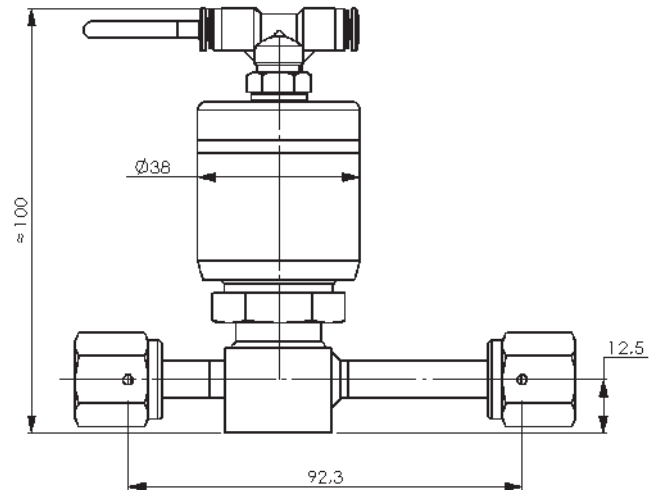
- Wetted area 316L Stainless Steel
- Surface finish $Ra \leq 0.4\mu m$
- Body and bellows 316L Stainless Steel
- Non rotating stem tip Kel-F
- O-ring (body / actuator) Silvered 316L Stainless Steel

Actuator Design

- Pneumatic NO (1) & NC (1)
- Blue anodized actuator in aluminum.

Accessories

- Elbow pneumatic fitting
- Tee pneumatic fitting
- Polyurethane tube $\varnothing 4-\varnothing 2.5$



M – Series Modules

M2AXN5

Ratings

Specifications

Flow coefficient Cv=0.28
 Orifice size 3.5 mm

Temperature

Operating 0 °C to 70 °C

Pressure Ratings

Operating Vacuum to 15 bar

Valve Life Expectancy

> 1,000,000 cycles

Helium Leak Rate

External sealing <2.10⁻¹⁰ atm cm³/s
 Internal sealing <1.10⁻⁹ atm cm³/s

