

# MF - Series Bellows Manifolds

## Oven-Safe Bellows Manifold Shut-Off Valve

### Features

#### Design

Multiport configurations, offering wide range of use.  
 Various fitting configurations with standard Moduline dimensions.  
 Rigid mechanical connection between stem tip and actuator.  
 All tube connections are TIG orbital welded.

#### Materials

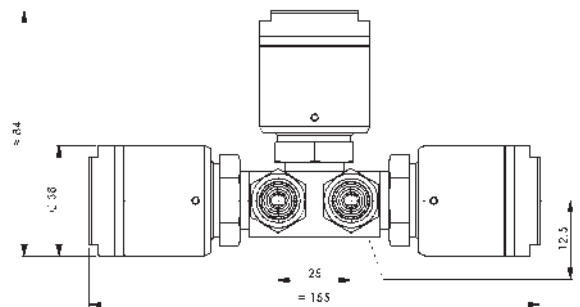
Wetted area . . . . . 316L Stainless Steel  
 Surface finish . . . . .  $Ra \leq 0.4\mu m$  ;  $Ra \leq 0.2\mu m$  on request  
 Body and bellows . . . . . 316L Stainless Steel  
 Non rotating stem tip . . . . . Vespel  
 O-ring (body / actuator) . . . . . Silvered 316L Stainless Steel

#### Actuator Design

Pneumatic NO or NC, manual, 1/4 turn or toggle.  
 Permanent color identification for NO or NC.

#### Options & Accessories

Hastelloy body for corrosive gases.



# MF - Series Bellows Manifolds

## Oven-Safe Bellows Manifold Shut-Off Valve

### Ratings

#### Specifications

---

Flow coefficient (1/4") ..... Cv=0.2  
 Orifice size (1/4") ..... 3.5 mm  
 Flow coefficient (1/2") ..... Cv=1.0  
 Orifice size (1/2") ..... 10 mm

#### Temperature

---

Operating ..... 0 °C to 250 °C

#### Pressure Ratings

---

Operating ..... Vacuum to 15 bar

#### Valve Life Expectancy

---

> 200,000 cycles

#### Helium Leak Rate

---

External sealing ..... <2.10<sup>-10</sup> atm cm<sup>3</sup>/s  
 Internal sealing ..... <1.10<sup>-9</sup> atm cm<sup>3</sup>/s

