

B - Series Bellows Valves

Trusted Alternative Product To The US World-wide Known Brand

Features

Design

- Safe interchangeability.
- Seamless compatibility and integration dimensionally and technically.
- Similar overall system performance.
- Multiport configurations, up to 4 way.
- Various fitting configurations with standard Moduline dimensions.
- All tube connections are TIG orbital welded.

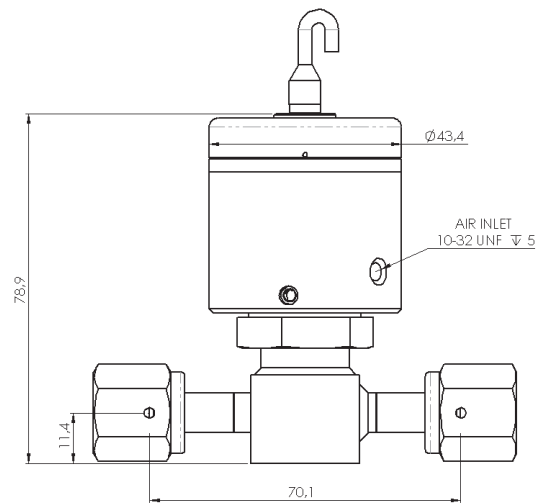


Materials

- Wetted area 316L Stainless Steel
- Surface finish $Ra \leq 0.4\mu m$; $Ra \leq 0.2\mu m$ on request
- Body and bellows 316L Stainless Steel
Hastelloy for corrosive gases (option)
- Non rotating stem tip Kel-F, Vespel (option)
- O-ring (body / actuator) Silvered 316L Stainless Steel

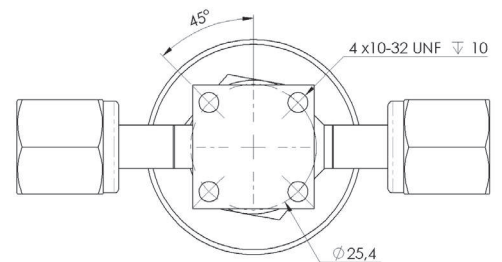
Actuator Design

- Pneumatic NO or NC, manual, 1/4 turn or toggle.
- Permanent color identification for NO or NC.
- Blue anodized actuator in aluminum.



Options & Accessories

- High pressure.
- High temperature.
- Hastelloy body for corrosive gases.
- Position indicators for pneumatic operators.
- Security locker for manual toggle.
- Pneumatic fittings.



B - Series Bellows Valves

Trusted Alternative Product To The US World-wide Known Brand

Ratings

Specifications

Flow coefficient (for two way valve) Cv=0.21

Orifice size (for two way valve) 3.5 mm

Temperature

Operating 0 °C to 250 °C, depending on the model

Pressure Ratings

Operating Vacuum to 200 bar, depending on the model

Valve Life Expectancy

> 1,000,000 cycles with non-corrosive gas.

> 500,000 cycles with corrosive gas and Hastelloy® bellows (option).

> 200,000 for High temperature model (250°C)

Helium Leak Rate

External sealing <2.10⁻¹⁰ atm cm³/s

Internal sealing <1.10⁻⁹ atm cm³/s

