

D - Series ALD Valves

Atomic Layer Deposition Diaphragm Valve

Ratings

Specifications

Flow coefficient (for two way valve)..... Cv=0.2
 Orifice size (for two way valve)..... 3.5 mm

Temperature

Operating..... 0 °C to 250 °C, depending on the model

Pressure Ratings

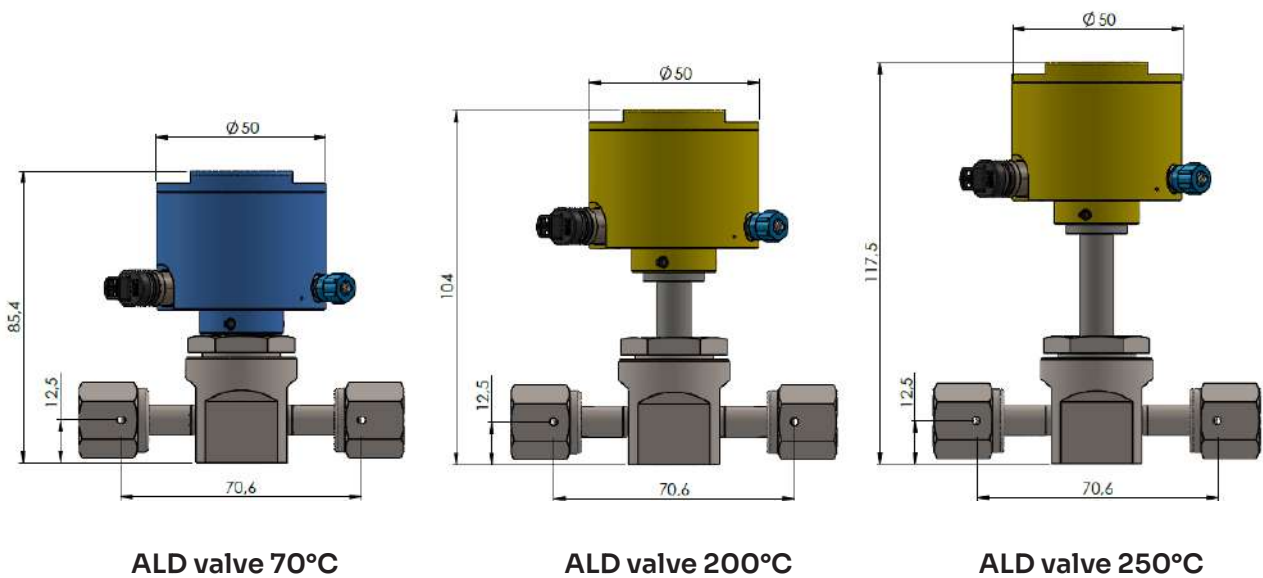
Operating..... Vacuum to 15 bar

Valve Life Expectancy

> 1,000,000 cycles with non-corrosive gas.
 > 250,000 cycles for high temperature (250°C gas flow)

Helium Leak Rate

External sealing <2.10⁻¹⁰ atm cm³/s
 Internal sealing <1.10⁻⁹ atm cm³/s



ALD valve 70°C

ALD valve 200°C

ALD valve 250°C