

MF - Series Bellows Manifolds

Multiway Mixed Actuators Bellows Shut-Off Valve

Features

Design

Multiport configurations, offering wide range of use.
 Various fitting configurations with standard Moduline dimensions.
 Rigid mechanical connection between stem tip and actuator.
 All tube connections are TIG orbital welded.

Materials

Wetted area 316L Stainless Steel
 Surface finish $Ra \leq 0.4\mu m$; $Ra \leq 0.2\mu m$ on request
 Body and bellows 316L Stainless Steel
 Non rotating stem tip Kel-F
 O-ring (body / actuator) Silvered 316L Stainless Steel

Actuator Design

Pneumatic NO or NC, manual, 1/4 turn or toggle.
 Permanent color identification for NO or NC.
 Blue anodized actuator in aluminum.

Options & Accessories

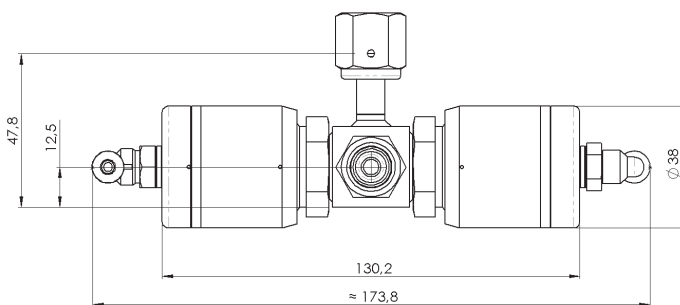
High pressure.
 High temperature.
 Hastelloy body for corrosive gases.
 Position indicators for pneumatic operators.
 Security locker for manual toggle.
 Pneumatic fittings.



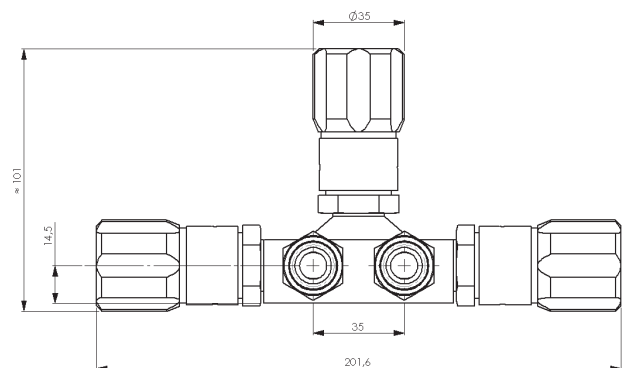
MF23BOBC14AAA11111BC



MF34QQQ12DDDD11111A



MF23BOBC14AAA11111BC



MF34QQQ12DDDD11111A

SAS ECM COMPONENTS

165 avenue des cocardières - ZAC VIA DOMITIA - 34 160 Castries - France
 contact@ecmcomponents.com - Phone: +33 (0) 4 67 61 12 02

MF - Series Bellows Manifolds

Multiway Mixed Actuators Bellows Shut-Off Valve

Ratings

Specifications

Flow coefficient (1/4")	Cv=0.2
Orifice size (1/4")	3.5 mm
Flow coefficient (1/2")	Cv=1.0
Orifice size (1/2")	10 mm

Temperature

Operating 0 °C to 250 °C, depending on the model

Pressure Ratings

Operating Vacuum to 200 bar, depending on the model

Valve Life Expectancy

- > 1,000,000 cycles with non-corrosive gas.
- > 500,000 cycles with corrosive gas and Hastelloy® bellows (option).
- > 200,000 for High temperature model (250°C)

Helium Leak Rate

External sealing	<2.10 ⁻¹⁰ atm cm ³ /s
Internal sealing	<1.10 ⁻⁹ atm cm ³ /s

