

Interconnecting Elements

Union, Elbow, Tee, Cross, Jumper Cross

Features

Design

Standard Moduline dimensions.
 Various fitting configurations.
 All tube connections are TIG orbital welded.



Materials

Wetted area 316L Stainless Steel
 Surface finish Ra ≤ 0.2µm

Ratings

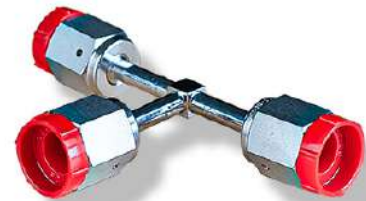
Specifications

Standard orifice size (internal) 4.5 mm
 High flow orifice size (internal) 6.5 mm



Helium Leak Rate

Individually tested <2.10⁻⁹ atm cm³/s

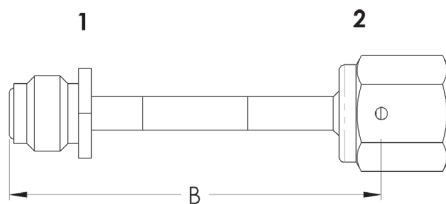


Interconnecting Elements

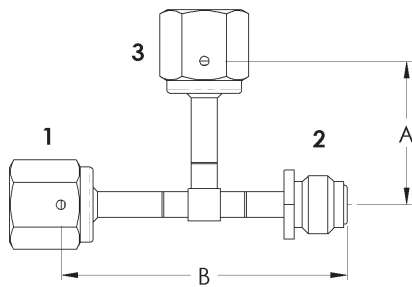
Union, Elbow, Tee, Cross, Jumper Cross

	1/4"	3/8"	1/2"	1"
A	35.3	56.35	60.5	105.35
B	70.6	112.7	121	210.7

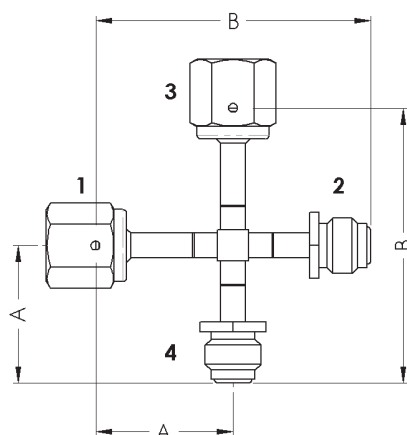
UNION



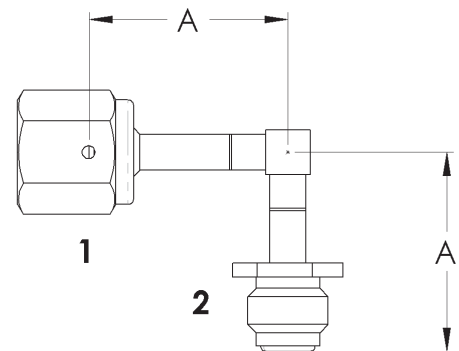
TEE



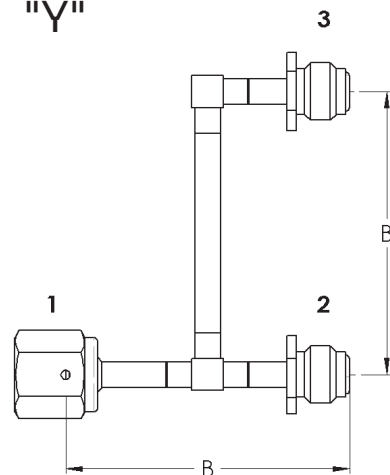
CROSS



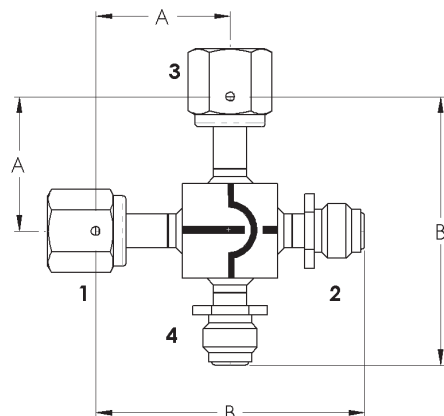
ELBOW



"Y"



JUMPER CROSS



Interconnecting Elements

Union, Elbow, Tee, Cross, Jumper Cross

Part Number Description

624 [b,b] [d,d] [f,...,f]

[b,b] - Body Configuration

- [US] Union - Moduline Single
- [UD] Union - Moduline Double
- [UT] Union - Moduline Triple
- [UX] Union - (X = 4 to 9)
- [EL] Elbow Element
- [TE] Tee Element
- [YE] "Y" Element
- [CR] Cross Element
- [JU] Jumper Cross Element
- [JC] Jumper Corner Cross Element

[d,d] - Channel Type (Diameter)

- [14] 1/4"
- [15] 1/4" High Flow
- [12] 1/2"
- [38] 3/8"
- [34] 3/4"
- [01] 1"

[f,...,f] - Fittings

- [A] 1/4" VCR® female compatible
- [B] 1/4" VCR® male compatible
- [C] 1/2" VCR® female compatible
- [D] 1/2" VCR® male compatible
- [E] 3/4" VCR® Male Compatible
- [F] 3/4" VCR® female compatible
- [G] Swagelok® 6mm compatible
- [H] Swagelok® 1/4" compatible
- [I] Swagelok® 8mm compatible
- [J] Swagelok® 3/8" compatible
- [F] Swagelok® 10mm compatible
- [L] Swagelok® 12mm compatible
- [M] Swagelok® 1/2" compatible
- [N] Swagelok® 3/4" compatible
- [O] Swagelok® 1" compatible
- [P] Welded flange CF16
- [Q] Welded flange CF40
- [R] Welded flange KF16
- [S] Welded flange KF40
- [T] 3/8" VCR® female compatible
- [S] 3/8" VCR® male compatible
- [V] Welded flange CF10
- [W] Welded flange KF10
- [X] 1" VCR® female compatible
- [Y] 1" VCR® male compatible
- [9] Specific