

# FL - Series Filters

## Standard Filters

### Features



#### Design

Stainless steel gasket filter and PTFE membrane filtration media.  
 Various fitting configurations.  
 Standard Moduline dimensions. Other lengths available.

#### Materials

Wetted area ..... 316L Stainless Steel  
 Gasket ..... Viton®, Teflon®  
 Surface Finish ..... Ra ≤ 0.4µm ; Ra ≤ 0.2µm on request

### Ratings

#### Particle Retention Rate

Particle diameter ..... from 0.20 µm to 20 µm on gases  
 (see Filtration Grade Table)

#### Temperature

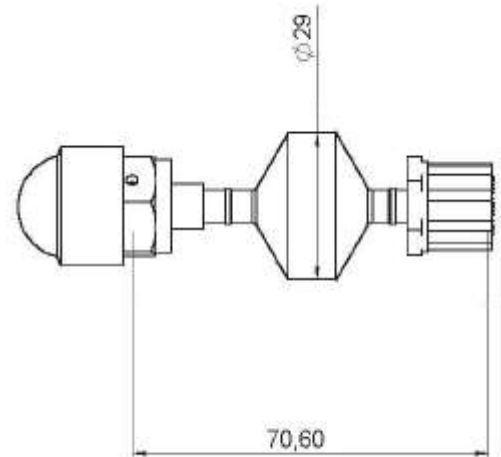
Operating ..... - 40°C to + 70°C

#### Pressure Rating

Operating ..... Vacuum to 15 bar, 30 bar, 200 bar (options)

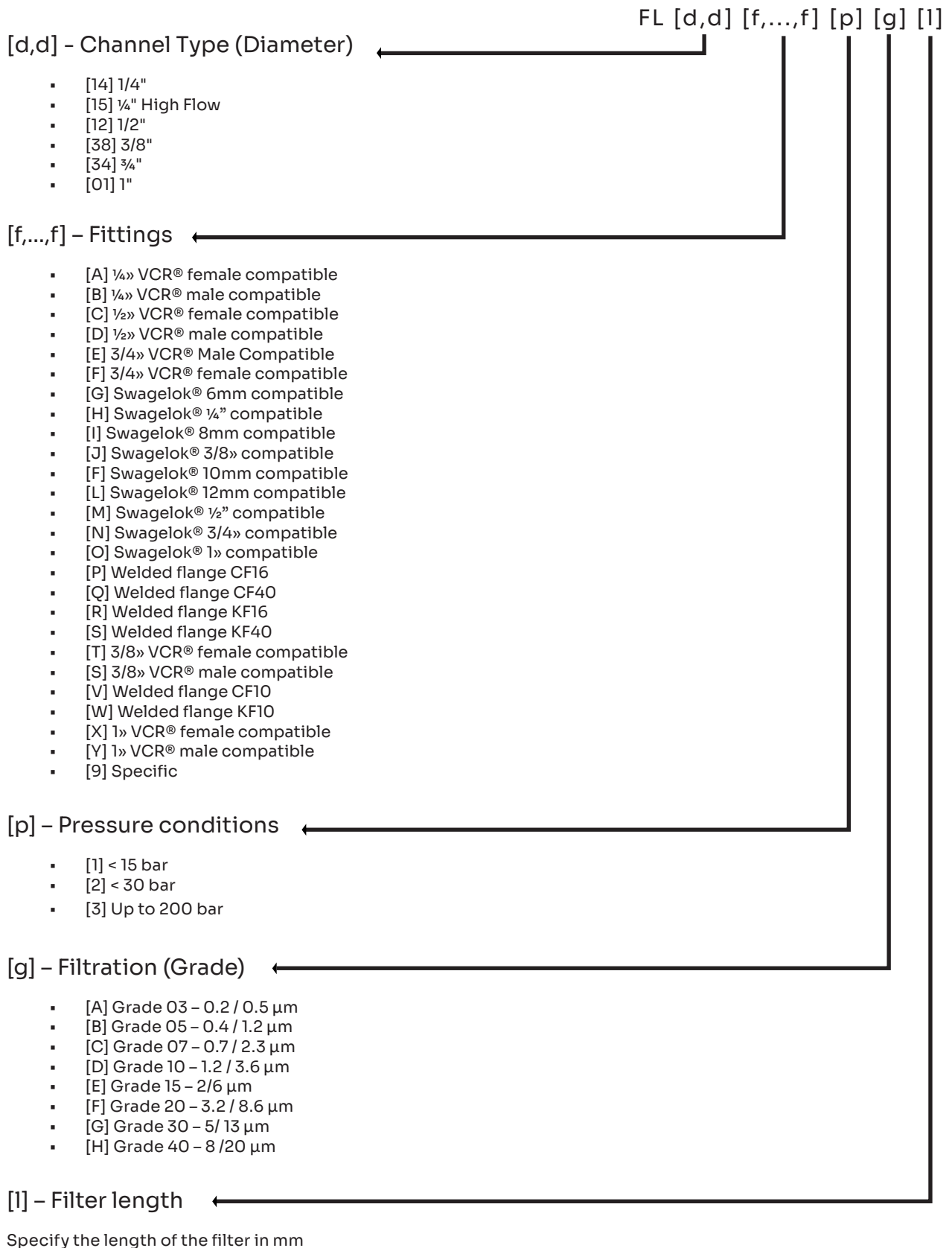
#### Helium Leak Rate

External seating ..... <5.10<sup>-10</sup> atm cm<sup>3</sup>/s



# FL Series - Standard Filters

## Part Number Description



## Part Number Description

### Stainless Steel And Ni Alloys

PORAL Grade	Filtration efficiency			
	GASES		LIQUIDS	
	98% of particles stopped (µm)	99,9% of particles stopped (µm)	98% of particles stopped (µm)	99,9% of particles stopped (µm)
03	0,2	0,5	3,2	4,5
05	0,4	1,2	5,9	9
07	0,7	2,3	12	16
10	1,2	3,6	16	24
15	2	6	26	37
20	3,2	8,6	40	58
30	5	13	60	90
40	8	20	90	130