

# B - Series Bellows Valves

Trusted alternative product to the US worldwide known brand

## Features

### Design

- Safe interchangeability.
- Seamless compatibility and integration dimensionally and technically.
- Similar overall system performance.
- Multiport configurations, up to 4 way.
- Various fitting configurations with standard Moduline dimensions.
- All tube connections are TIG orbital welded.

### Materials

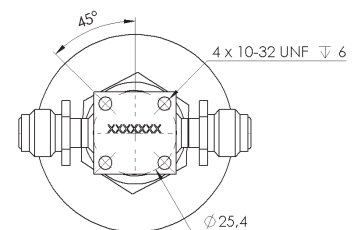
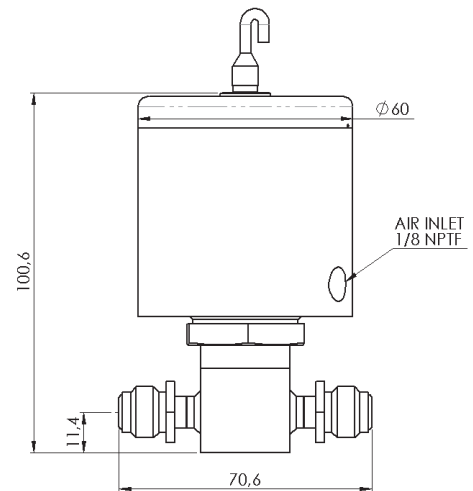
- Wetted area ..... 316L Stainless Steel
- Surface finish .....  $Ra \leq 0.4\mu m$  ;  $Ra \leq 0.2\mu m$  on request
- Body and bellows ..... 316L Stainless Steel  
Hastelloy for corrosive gases (option)
- Non rotating stem tip ..... Kel-F
- O-ring (body / actuator) ..... Silvered 316L Stainless Steel

### Actuator Design

- Pneumatic NO or NC, manual, 1/4 turn or toggle.
- Permanent color identification for NO or NC.
- Blue anodized actuator in aluminum.

### Options & Accessories

- Hastelloy body for corrosive gases.
- Position indicators for pneumatic operators.
- Security locker for manual toggle.
- Pneumatic fittings.



# B - Series Bellows Valves

Trusted alternative product to the US worldwide known brand

## Ratings

### Specifications

---

Flow coefficient (for two way valve)..... Cv=0.21  
 Orifice size (for two way valve) ..... 3.5 mm

### Temperature

---

Operating ..... 0 °C to 70 °C

### Pressure Ratings

---

Operating ..... Vacuum to 200 bar

### Valve Life Expectancy

---

> 1,000,000 cycles with non-corrosive gas.  
 > 500,000 cycles with corrosive gas and Hastelloy® bellows (option).

### Helium Leak Rate

---

External sealing ..... <2.10<sup>-10</sup> atm cm<sup>3</sup>/s  
 Internal sealing ..... <1.10<sup>-9</sup> atm cm<sup>3</sup>/s

